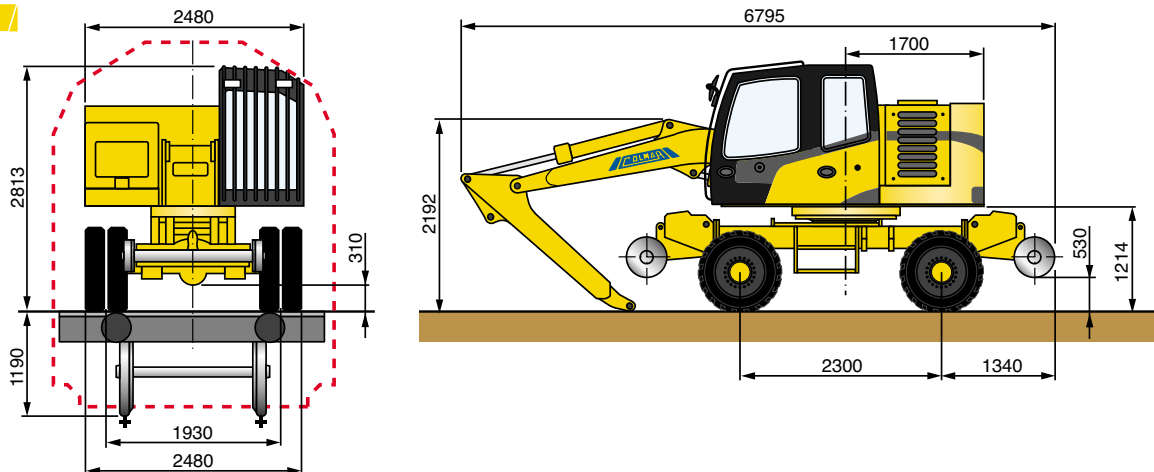
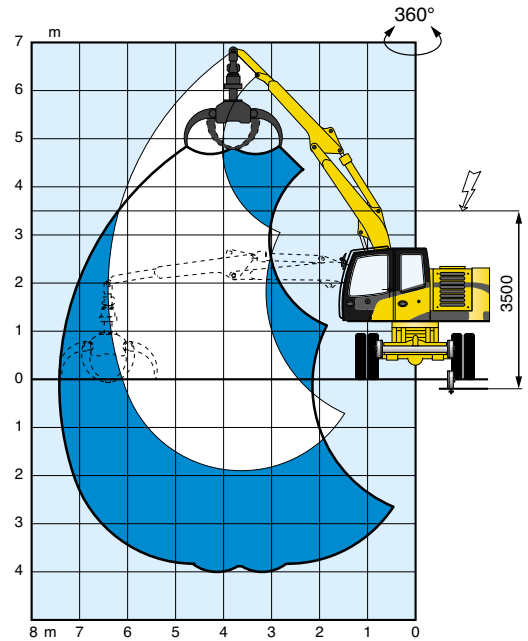




COLMAR rail/road loaders are used for the construction and maintenance of railway lines. The machines can be equipped with different accessories: rail pincers, hydraulic or mechanical frame beam for moving sleepers; tamping unit; pincers for different usage; hydraulic hammer; hydraulic bush-grass cutter. COLMAR rail/road loaders are made of a strong electro welded steel and actionned by hydraulic systems realized with high quality components. The loaders are complete with security systems and are homologated to work in different countries.

## Dimensions





### ROAD/RAIL LOADERS

Weight of the machine	16 Ton
Max lifting load (Road - CD / CE)'	2800 daN (6,3 m)
Max lifting load (Rail - CD)'	2800 daN (6,3 m)
Telescopic counterweight	not available

### TECHNICAL SPECIFICATIONS

Diesel engine (DEUTZ)	I.D.
Engine power	51 Kw - 2300 Rpm
Number of cylinders/cubic capacity	4 / 4314 cm <sup>3</sup>
Cooling	air
Engine compartment	sound insulated
Engine supports	vibration damper

### HYDRAULIC SYSTEM

Pumps	axial piston double pump - constant press. regulation
Max capacity	126 + 126 L/min
High pressure circuit	flexible hoses / steel
Pipe fittings	ORFS
Hydraulic oil cooling	air-oil heat exchanger
Tyres front and rear tyres	twin tyres 9,00x20 XZM
Service and emergency brake	hydr. pedal control / split circuit on the 4 wheels
Parking brake	hydraulic control by a lever in the cab
Brakes on the rail wheels	block braking
Steering	hydraulic / gear pump
Transmission	hydr. by variable displacement axial pistons pump
Hydraulic motor	radial piston hydr. motor on epicyclic reduction gear
Axels	with epicyclic reduction gears on wheels
Front rail axle	swinging / hydraulic cylinders for swinging lock
Front-rear rail boogies	independent / hydraulic control
Gear box	hydraulic with 3 speeds
1st gear; 2nd gear; 3rd gear	3 Km/h; 9 Km/h; 25 Km/h
Driving cab - Seat	steel sheet/sound insulated - adjust. anatomic seats
Fuel tank capacity	130 L
Total capacity hydraulic oil circuit	320 L

1) CD = Counterweight in CE = Counterweight out

**Standard accessories** / Hydraulic rotator 360° for accessories, lifting hook, 4 wheels drive, electronic system for load control.

**Optional** / Air conditioner, automatic air conditioner, radio, catalytic converter, electronic system for load control, electro hydraulic generator, magnetic plate, tracked model, rear vision electronic device, arm height mechanical limit system.

### Road Loaders

HEIGHT (m)	OPERATING RANGE (m)				
	3	4.5	5.6	6.3	
6	Long.	-	3050	-	-
	360°	-	3050	-	-
4.5	Long.	-	3080	-	-
	360°	-	3080	-	-
3	Long.	-	3380	3100	-
	360°	-	3380	3100	-
1.5	Long.	-	3890	3200	2800
	360°	-	3890	3200	2800
0	Long.	6500	4100	3150	-
	360°	6500	4100	3150	-

Lifting capacity on 360° rotation expressed without safety factors.

### Rail Loaders

HEIGHT (m)	OPERATING RANGE (m)				
	3	4.5	5.6	6.3	
6	Long.	-	3050	-	-
	360°	-	3050	-	-
4.5	Long.	-	3080	-	-
	360°	-	3080	-	-
3	Long.	-	3380	3100	-
	360°	-	3380	2500	-
1.5	Long.	-	3400	3200	2800
	360°	-	3400	2500	2200
0	Long.	5500	3350	3150	-
	360°	5500	3350	2500	-

Lifting capacity on 360° rotation expressed without safety factors.

Colmar reserves the right of amending the data contained in this brochure at any time.

**COLMAR S.p.a.**  
 Headquarters Via Nazionale Adriatica n.539/593  
 45031 ARQUA' POLESINE (RO) ITALY  
 Ph. +39 0425 93 21 33 ( Int.4 ) Fax +39 0425 46 50 52  
[www.colmarspa.com](http://www.colmarspa.com)  
[colmarspa@colmarspa.com](mailto:colmarspa@colmarspa.com)  
**Export Sales Department:**  
 Viale dei Colli Euganei, n.88 ap.5-6  
 35041 Battaglia Terme (PD) - ITALY  
 Ph.: +39 049 910 13 49 Fax : +39 049 911 41 63  
[www.colmarspa.com](http://www.colmarspa.com) [export@colmarspa.com](mailto:export@colmarspa.com)

**COLMAR USA, Inc.**  
 U.S.A.  
 3790 Commerce Ct., Suite 100  
 Wheatfield, New York 14120  
**1-800-537-5204**  
 Ph. 716 - 693 - 9877  
 Fax 716 - 693 - 9869  
[www.colmarequipment.com](http://www.colmarequipment.com)  
[info@colmarequipment.com](mailto:info@colmarequipment.com)  
[sales@colmarequipment.com](mailto:sales@colmarequipment.com)  
[service@colmarequipment.com](mailto:service@colmarequipment.com)

**COLMAR UK Ltd.**  
 U.K.  
 Unit 10, Wheel Forge Way  
 Ashburton Park  
 Ashburton Road West, Trafford Park  
 Manchester  
 M17 1EH  
 Ph. **0161 848 8902**  
 Fax 0161 848 8903  
[www.colmarspa.com](http://www.colmarspa.com)  
[colmaruk@colmarspa.com](mailto:colmaruk@colmarspa.com)

**OOO COLMAR BOSTOK**  
 RUSSIA 115088 Moscow, Yuzhnoportovaya ul.7  
 Ph. +7 095 5405538 Fax +7 095 7100848  
[www.colmarspa.com](http://www.colmarspa.com) [info@oocolmar.ru](mailto:info@oocolmar.ru)

**COLMAR S.p.a. CHINA OFFICE**  
 CHINA Pride of Times Building,  
 Suite No. 1003 Xin Hua Rd. 4, Yu Zhong District,  
 400010 Chongqing City, PRC  
 Ph. +86 23 63707815 Fax +86 23 63707780  
[www.colmarspa.com](http://www.colmarspa.com) [jia@colmarspa.com](mailto:jia@colmarspa.com)